

GEARBOX

FAF3700

3700



Features

- Has cast iron body; stem and sealing seat are made of stainless steel.
- Lowering the minimum torque force allows the opening and closing of the valve by single operator.
- While the open-close torque of the valve with gearbox decreases, the number of turns needed to open-close the valve increase.
- Attention should be paid on the connection dimensions and gearbox ratio when selecting an actuator for the valve.
- The DN dimensions and gearbox types mentioned on the table are given according to the general applications.
- It is advised to receive support from FAF Valve technical staff while selecting gearboxes.
- Most of the valves require an operator torque that can only be achieved with a gearbox. There are part turn and quart turn manual actuators.
- Manual actuation is usually driven by handwheels. Valves whose access location makes it difficult to operate on them can be driven by chain wheels.
- For security, the driver can be out of the gearbox spigot.
- Only authorized operators who bring the handwheel or wrench nut with them can operate the valve.

PRODUCTION STANDARDS

DN40 → DN400
PN 10-16

Design	EN ISO 5211
Marking	EN ISO 5211
Tests	EN ISO 5211
Corrosion Protection	Electrostatic Powder Epoxy

Product Description

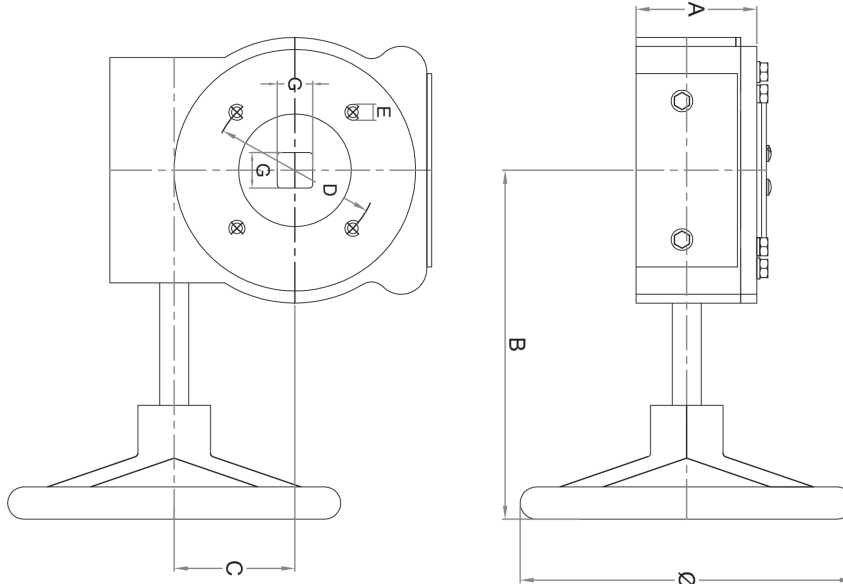
FAF3700 Gearbox is used for decreasing the torque needed to rotate the stem through the help of gears with ratio. Gearboxes are designed for FAF Butterfly Valves

Scope of Application

- Lug & wafer type butterfly valves
- Double eccentric butterfly valve
- Concentric butterfly valves
- Gate valves
- Ball valves

GEARBOX FAF3700

Technical Details & Drawing, Dimensions



DN (mm)	Ø	A	B	C	EN ISO 5211			GxG
					Flange Type	D	E	
40	190	60	160	47	F 07	70	M8	11x11
50								
65								
80								
100	190	65	165	45	F 07	70	M8	14x14
125								
150	190	65	165	45	F 07	70	M8	17x17
200	295	70	235	67	F 10	102	M10	17x17
250	295	70	235	67	F 10	102	M10	22x22
300	295	90	230	70	F 10	102	M10	22x22
350	295	90	230	70	F 12	125	M12	22x22
400	390	110	240	120	F 14	140	M16	27x27